

**TOMORROW'S  
MANUFACTURING  
LEADERSHIP  
TODAY**

# Technical Bulletin

Bulletin Number: 276 Revision Number: R-02  
Release Date: August 7, 1984 Revision Date: August 5, 1992

**SUBJECT: ASCEPTIC VENDER COUNTER INSTALLATION ON EACH COLUMN**

**MODELS AFFECTED: ALL PRE-SERIES 90 ASCEPTIC VENDERS**

**REASON: TO PROVIDE A KIT TO INSTALL A COUNTER ON EACH SELECTION.**

**FOR 8 SELECT VENDERS ORDER:**

349,010,300.14 Asceptic Counter Per Column Kit - 8

- 4 - 000,005,070.16 Module Counter Bracket
- 8 - 432,012,100.04 Counter Kit
- 8 - 904,800,530.01 Scotchlok Connector
- 16 - 900,600,230.01 Sheet Metal Screw "Type A"
- 8 - 901,901,000.01 Wire Ties
- 8 - 804,906,070.01 Asceptic Counter Service Harness

**FOR 10 SELECT VENDERS ORDER:**

378,010,100.14 Asceptic Counter Per Column Kit - 10

- 5 - 000,005,070.16 Module Counter Bracket
- 10 - 432,012,100.04 Counter Kit
- 10 - 904,800,530.01 Scotchlok Connector
- 20 - 900,600,230.01 Sheet Metal Screw "Type A"
- 10 - 901,901,000.01 Wire Ties
- 10 - 804,906,070.01 Asceptic Counter Service Harness

For Installation Instructions See Pages 2 and 3.

TO INSTALL:

1. Unplug the vender.
2. Remove the two (2) screws at the top front of the vend module (See "A", Figure 1, Page 3).
3. Locate the module counter bracket. Align the holes in the bracket with the two holes in the module where you removed the screws in step 2.
4. Secure the bracket with the screws removed in step 2.
5. Install two (2) counters on each bracket (side by side).
6. Secure each counter with two (2) screws provided in the kit.
7. Locate aseptic counter service harness. (See Figure 4, Page 3.) Note that one lead has a "faston receptacle" (See Figure 2, Page 3). Insert this lead into the empty receptacle terminal of the by-pass switch on the vend motor (See Figure 3, Page 3). Repeat this step for the other by-pass switch.
8. The other counter lead is bare (See Figure 4, Page 3). There is one such lead from each counter. Run these leads to the left side of the rear vend motor (Looking from the front of the module).
9. Locate the two (2) wires at the left side of the vend motor coil (Looking from the front of the module).
10. Place one of the wires to the vend motor coil in a scotchlok connector and one bare lead in the other side of the scotchlok connector (See Figure 5, Page 3). Clamp and secure the connector to these wires with pliers. Close the scotchlok connector cover and tape with electrical tape.
11. Repeat this procedure for the other wires to coil and counter.
12. Repeat steps 2 through 11 for the remaining columns.
13. Use wire ties provided to tie wires out of the way of moving parts.
14. Plug in the vender and test for proper operation.

ASCEPTIC VENDER

FIGURE 1

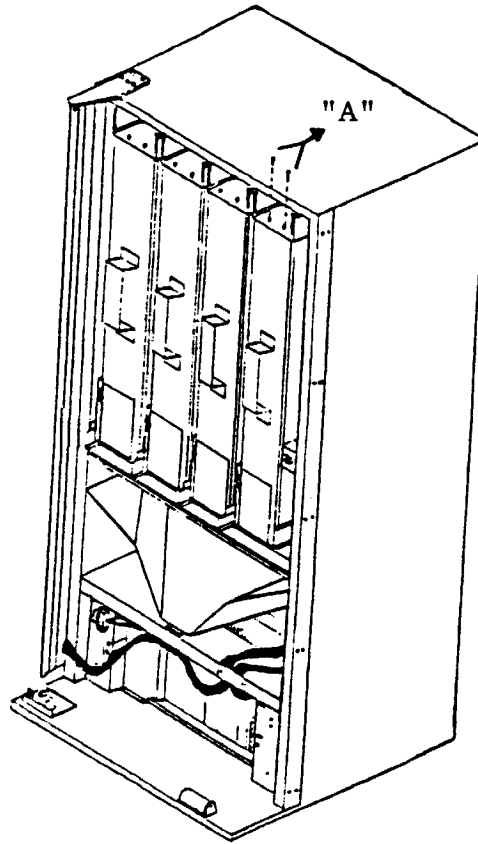
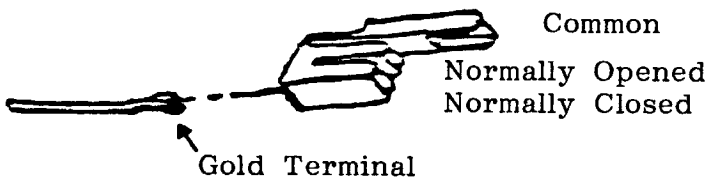


FIGURE 2



BYPASS SWITCH HOUSING

FIGURE 3

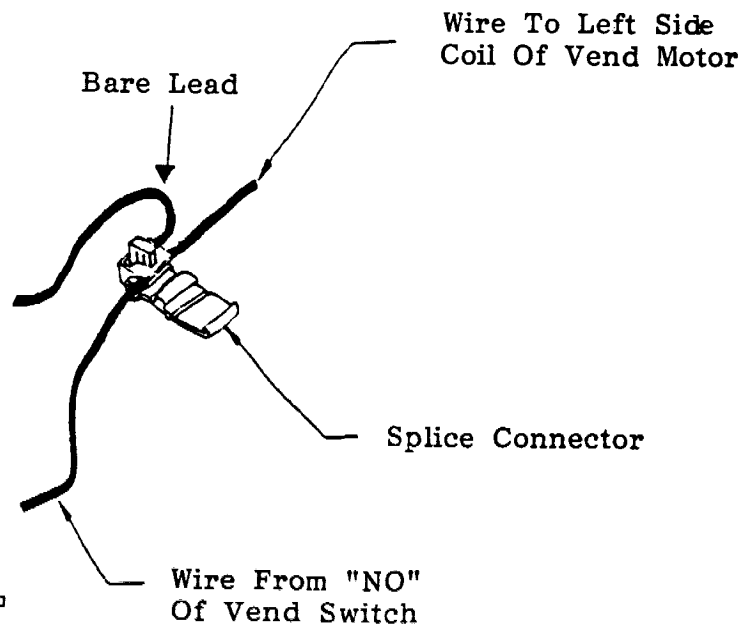


FIGURE 5



FIGURE 4